



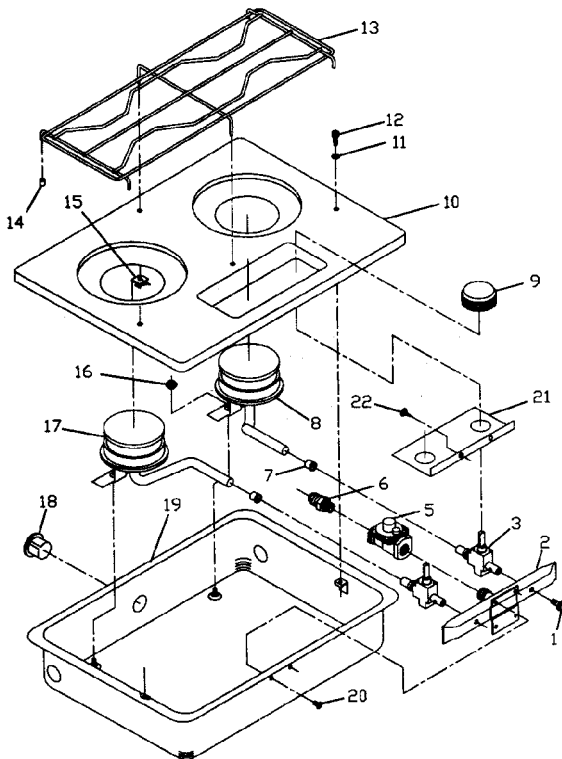
**REPLACEMENT PARTS LIST
FOR DROP-IN COOK TOPS
MODELS SD2 • SD3**



Only factory authorized parts are to be used. Do not attempt to repair defective parts.

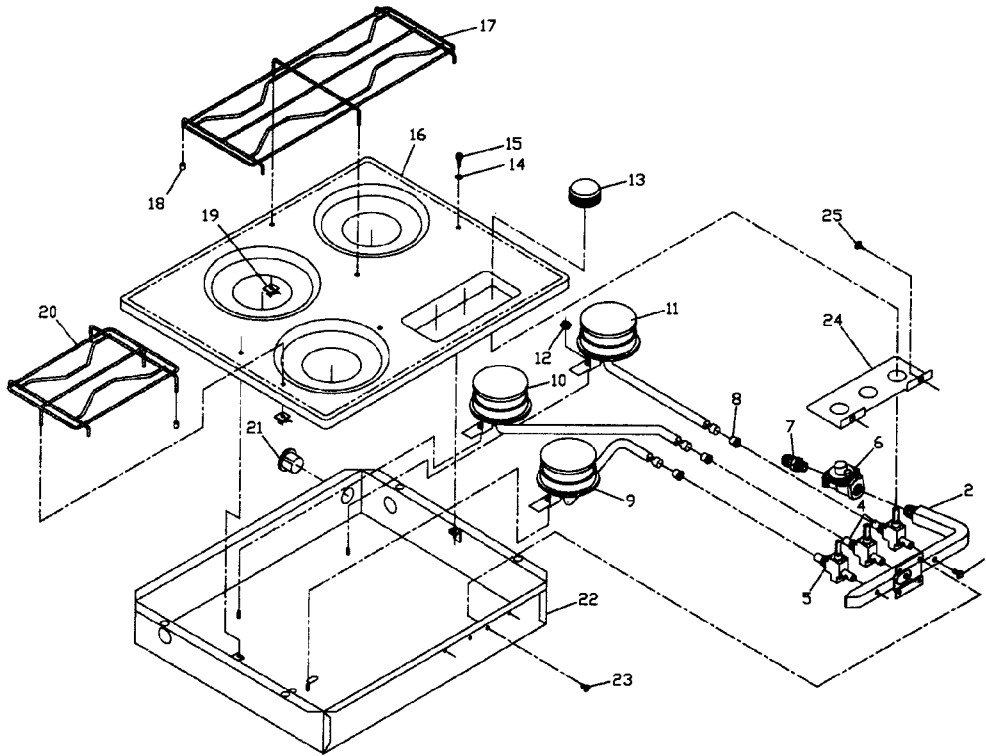
When ordering repair parts from your dealer or a Suburban Service Center, always give the following information:

1. Part Number (Not Item No.)
2. Part Description
3. Model No., Serial No.
4. Number of Parts Required



PARTS LIST - MODEL SD2

Item No.	Description	Part Number
1	Bolt, Valve Mounting (2 Required)	121916
2	Manifold (Two Burner)	171515
3	Top Burner Valve (2 Required)	161142
5	Regulator	161140
6	Fitting 3/8 Flare x 1/4 NPT	171513
7	Bushing, Burner Tube (2 Required)	121931
8	Top Burner (Right)	010827
9	Knob Burner (2 Required)	140219
10	Top Assembly (2 Burner) Almond	2702AAL
	Top Assembly (2 Burner) Black	2702ABK
	Top Assembly (2 Burner) White	2702AWH
	Top Assembly (2 Burner) Stainless	2702AST
11	Washer, Flat (Nylon) (2 Required)	121565
12	Main Top Mounting Screw (2 Required)	121519
13	Wire Grate (Long)	031025
14	Rubber Pad (4 Required)	140214
15	Clip, Grate Retainer (2 Required)	121885
16	Nut, 10-24 Keps (2 Required)	120717
17	Top Burner (Left)	010828
18	Bushing Universal	071047
19	Burner Box Assembly (2 Burner) (Not a replaceable part)	
20	Screw 10-24 x 1/4 (2 Required)	121905
21	Cover Plate, Manifold	063310BK
22	Screw 8-18 x 3/16, Type B (2 Required - NO SUBSTITUTE)	121893



PARTS LIST - MODEL SD3

Item No.	Description	Part Number	Item No.	Description	Part Number
1	Bolt, Valve Mounting (3 Required)	121916	16	Top Assembly (3 Burner) Almond	2703AAL
2	Manifold (Three Burner)	171579		Top Assembly (3 Burner) Black	2703ABK
4	Top Burner Valve (2 Required)	161143		Top Assembly (3 Burner) White	2703AWH
5	Top Burner Valve	161158		Top Assembly (3 Burner) Stainless	2703AST
6	Regulator	161140	17	Wire Grate (Long)	031025
7	Fitting, 3/8 Flare x 1/4 NPT	171513	18	Rubber Pad (8 Required)	140214
8	Bushing Burner Tube (3 Required)	121931	19	Clip, Grate Retainer (4 Required)	121885
9	Top Burner, Left Front	010829	20	Wire Grate (Short)	031028
10	Top Burner, Left Rear	010831	21	Bushing Universal	071047
11	Top Burner, Right Rear	010830	22	Burner Box Assembly (Not a replaceable part)	
12	Nut 10-24 Keps (3 Required)	120717	23	Screw 10-24 x 1/4 (2 Required)	121905
13	Knob Burner (3 Required)	140219	24	Cover Plate, Manifold	063366BK
14	Washer Flat (Nylon) (2 Required)	121565	25	Screw 8-18 x 3/16 Type B (2 Required - NO SUBSTITUTE)	121893
15	Main Top Mounting Screw (2 Required)	121519			