



17" Portable Gas Grill

OWNER'S MANUAL

**PRODUCT CODE:
0-118731-116**

**CAUTION:
Carefully Read Instructions and
procedures for Safe Operation**

Date of Purchase:

7 OCT 02

Receipt of Purchase:

Attach Here

**UPC CODE:
0-7200071673-1**

If you are not satisfied with this or any BBQ-Pro product, please return it to any Kmart store.

Made for Kmart Corporation, Troy, Michigan 48084, in China.



Assembly Instruction

17" Portable Gas Grill (Code # 118731)

Verify that all parts are included with your BBQ Pro Grill BEFORE beginning assembly by checking the Parts List. For your convenience, some parts may be pre-assembled or attached to grill components. If all parts are not included, do not attempt to assemble grill. Return grill to Kmart with receipt for replacement unit or 100% Satisfaction refund.

USE DIAGRAM PROVIDED FOR ASSEMBLY. Leave hex nuts half-tightened on the grill during assembly until unit is completely assembled, then finish tightening hex nuts.

▶ SAFETY GUIDELINES

1. This BBQ-Pro Gas Grill is intended for OUTDOOR USE ONLY. Do not attempt to use this grill in enclosed areas.
2. Place your BBQ-Pro Gas Grill outside on a firm, level surface away from wooden fences, Overhanging trees, or other flammable objects before igniting the gas burner.
3. When installing the gas regulator, completely tighten the regulator to the burner system. The unit is installed properly when the threads of the brass fitting on the regulator are tight against the burner and no threads are visible.
4. DO NOT USE OR STORE ANY FLAMMABLE LIQUID OR GAS IN THE VICINITY WHILE USING YOUR BBQ-PRO GAS GRILL.
5. DO NOT USE GASOLINE OR CHARCOAL IN GRILL. Use only commercially approved Propane gas canisters. Attach, use and store the propane gas canister according to the product's instructions.
6. After lighting the BBQ-Pro Gas Grill, do not leave the grill unattended.
7. Remember to keep children and pets away from a lit grill at all times.
8. To avoid harm to people, pets or property do not move the BBQ-Pro grill once the gas burner has been lit.
9. After gas burner is lit, the grill and surrounding surfaces become very hot. Use proper outdoor cooking mitts, utensils and avoid skin contact with all hot metal surfaces on the grill.
10. To extinguish burner after cooking, push down on the dial and turn dial past the off position until the dial pops out. UNTIL THE DIAL ON THE GAS REGULATOR POPS OUT, THE GAS IS STILL ON. MAKE SURE YOU TURN THE GAS OFF COMPLETELY AND REMOVE THE GAS CANISTER BEFORE TRANSPORTING OR STORING THE UNIT.
11. After your BBQ-Pro Gas Grill has cooled, disconnect gas canister, cover, and store the unit in a safe place away from children while not in use.

▶ SAFELY LIGHTING YOUR BBQ-PRO GAS GRILL

1. Make sure all hardware is tightened completely before attaching propane gas canister onto gas Regulator. When assembled properly, all connections will be securely fastened.
2. Attach the propane gas canister onto the gas regulator according to the product's instructions.
3. For safety, use a commercial BBQ accessory butane lighter, such as a 12" (minimum) trigger Style butane lighter, to light your grill. DO NOT USE CIGARETTES, CIGARS, ROLLED UP PAPER, OR ANY OTHER HIGHLY FLAMMABLE OBJECTS TO LIGHT YOUR GAS GRILL.
4. To light your BBQ-Pro Gas Grill burner, push down on the gas regulator dial and turn counter Clock-wise gradually while immediately touching a lighter flame to the burner. CAUTION: DO NOT LEAVE GAS REGULATOR ON FOR MORE THAN 3 SECONDS WITHOUT IGNITING FLAME ON THE BURNER.
5. Adjust dial on gas regulator to Low, Mid or High for your cooking needs.

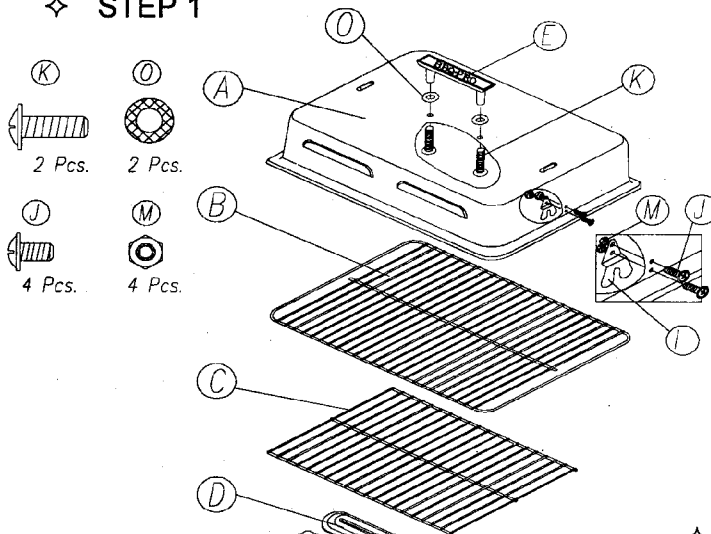
Tips: If you experience the difficulty of lifting up the steel wire leg with the interference of the regulator, simply push or screw the regulator inward.

► Parts List

A. Grill Top (1)	B. Cooking grill (1)	C. Lava rock grate (1)	D. Burner (1)	E. Bakelite handle (3)
F. Grill bottom (1)	G. Steel wire leg (2)	H. Gas regulator (1)	I. Lid bracket (2)	J. Screw 7/16" (4)
K. Handle screw 3/4" (6)	L. Burner screw 1/2" (1)	M. Hex nut 7/16" (4)	N. Metal washer (4)	O. Fiber washer (6)

► Diagram I

◆ STEP 1



◆ STEP 2

