



REPAIR PARTS LIST FOR 8333 SERIES

WARRANTY INFORMATION

PARTS RETURN

“Air Conditioning” in-warranty parts subject to return to RV Products must be sent prepaid to the following address. Always include your company’s claim or workorder along with RVP’s invoice generated from the shipment of the replacement part.

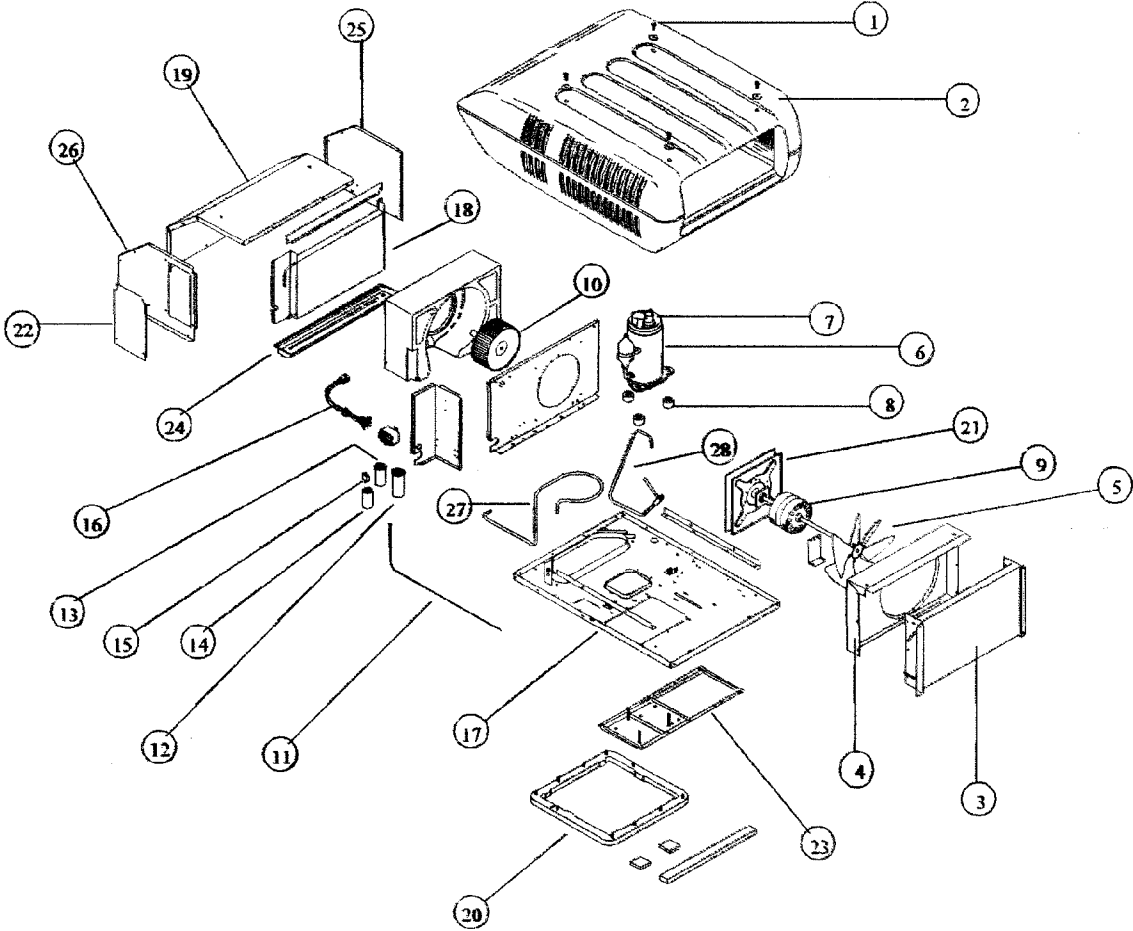
RV Products
A Division of Airxcel, Inc.
Attn: Warranty Return
3050 N. St. Francis
Wichita, KS 67219

WRITTEN CORRESPONDENCE

All written correspondence (no parts) should be sent to the following address:

RV Products
A Division of Airxcel, Inc.
Dept. 546
P.O. Box 4020
Wichita, KS 67204

**8333
SERIES**





**8333
SERIES**

CODE	USED ON MODELS	PART NUMBER	DESCRIPTION	NO. REQ.
1.	All	6792-5111	Screw Nut & Washer (4 Pkg.)	1
2.	871	8333-4111	Shroud (White/White)	1
	876	8333-4161	Shroud (Arctic White/Arctic White)	1
	877	8333-4171	Shroud (Ivory/Ivory)	1
3.	All	1452A1451	Condenser Coil	1
4.	All	6792-1071	Fan Shroud	1
5.	All	6733-3221	Fan (4 Blade, 11 Dia., 40 Degree Pitch, .50 Dia. Bore)	1
6.	All	1450-2099	Compressor (Tec-RK160AT-024-A2)	1
7.	All	6759-3791	Overload (MRA #2753-117 or 4759)	1
8.	All	6759-3081	Compressor Mounting Pkg. (3 Pkg.)	1
9.	All	1468-3069	Motor (115V, 60 HZ)	1
10.	All	1472-1091	Impellor	1
11.	"-"	7333-1351	Cap Tube (Formed)	1
	"A"	8333-1351	Cap Tube (Formed)	1
12.	All	1499-5661	Run Capacitor (Comp-25 Mfd/370V)	1
13.	All	1499-5461	Fan Capacitor (7.5 Mfd/370V)	1
14.	All	*	Included With #15	1
15.	All	8333A9021	Start Device	1
16.	All	6792-5491	Conduit & Wiring Assembly (6 Wires)	1
17.	All	8333-1011	Basepan (with foam scroll)	1
18.	All	1452A1491	Evaporator Coil	1
19.	All	8333A5061	Evaporator Cover Assy. With Insulation	1
ns	All	6759B3971	Filler Pad - Condenser Air Seal	1
20.	All	8332-3301	Gasket Pkg.	1
21.	All	8333-5151	Motor Mount & Shaft Seal Kit	1
22.	All	8333-109	Wirebox Door	1
22.	All	8333-516	Spacer Plate & Pad	1
24.	All	8333-1501	Drain Pan	1
25.	All	8333-505	Side Panel Rt. With Insulation	1
26.	All	8333-507	Side Panel Lt. With Insulation	1
27.	All	6792B130	Suction Line (3/8" OD x .032 Wall)	1
28.	All	7333A136	Discharge Line	1
ns	All	8333-1551	Shroud Bracket	2

SPECIAL ORDER PARTS:

NOTE: All parts with three digit suffix numbers are "Special Order" Parts. These parts are subject to factory availability and require extra time for delivery.

NOTE: Model 8333-8664 does not have a start kit installed. Use 8333A9021 for a start kit if needed.



DATA INQUIRY SHEET

8333A SERIES

MACH 3 PLUS

Capacity (Nominal BTUH)	Cooling - Output BTU Heating - Output BTU (1)	13,500 5,600
Electrical Rating	115 VAC, 60 HZ, 1 Phase	
Cooling Full Load AMP's at A.R.I. Standard Condition	Compressor Fan Motor Total	11.2 Low - 2.7 High - 3.4 13.9 14.6
Feature Equipment Amps	Heating (1)	16
Running Watts: (cooling) A.R.I. Standard Condition (80 F. DB/71 F. WB Indoor, 95 F. DB Outdoor)		1595
Running Watts: (cooling) A.R.I. Maximum Condition (95 F. DB/71 F. WB Indoor 115 F. DB Outdoor)		1924
Running Watts: (heating) (1)		1800
Compressor Locked Rotor Amps		54
Thermostat Temperature Range	Cooling - 61F. (±5) Heating (1) - 85 F. (±5)	
Metering Device	Capillary Tube	
Refrigerant Charge	14.75 oz.	
Evaporator Air Delivery (CFM)	320 CFM - High Speed	
Generator Size	See "Generators" Below	
Unit Weight (pounds) - Heat/Cool	84.5 lbs.	
Use time delay fuse or circuit breaker (U.L. H.A.C.R. Type C.S.A.) Rated at 20 amps. Supply wires 12 AWG Min. (Copper)		

(1) When equipped with Elect-A-Heat feature.

CEILING ASSEMBLY: Any 8330 series, 7330B751, -755 and 7530B750

GENERATORS:

It is not the policy of RV Products to size generators for application in Recreation Vehicles or related structures. However, when sizing generators, the total electrical power consumption in Watts must be determined and taken into consideration, such as:

- A. Maximum running watts of the air conditioner at A.R.I. maximum operating conditions (See Specifications).
- B. Power consumption of electronic ovens, toasters, coffeemakers, television sets, refrigerators, lights, etc.
- C. Generators do lose capacity under the following conditions: (1) Altitude increases above sea level, (2) Temperature increases above certain outdoor design temperatures and (3) Lack of maintenance.

RV Products
A Division of Airxcel, Inc.
P.O. Box 4020
Wichita, KS 67204