

5790 • 5791 • 5792 • 5793



A-Frame Jack Installation Operation & Maintenance Instructions

Shelby Industries
P.O. Box 308
Industrial Park
Shelbyville, Ky. 40066

MOUNTING INSTRUCTIONS

– CAUTION –

THESE JACKS ARE INTENDED FOR MOUNTING TO A-FRAME COUPLERS ONLY. THE USE OF THESE JACKS OTHER THAN LISTED ON THIS SHEET MUST BE APPROVED BY SHELBY INDUSTRIES.

1. PLACE JACK IN A-FRAME COUPLER MOUNTING HOLE IN SUCH A MANNER THAT THE HOLES ARE IN LINE.
2. INSERT MOUNTING BOLTS: THREE BOLTS THROUGH THE JACK MOUNTING PLATE AND FASTENED SECURELY TO THE COUPLER. (USE 3/8 - 16 BOLTS GRADE 5 TORQUE 15-20 FT. LBS. ON TAPPED COUPLERS, 3/8 - 16 NUTS AND LOCK-WASHERS MUST BE USED ON NON-TAPPED COUPLERS.
3. IF THE TRAILER TONGUE LOAD EXCEEDS 250 LBS., SHELBY RECOMMENDS USING A BOTTOM SUPPORT PLATE.

JACK OPERATION

WARNING: Never exceed the rated capacity stamped on the jack. When raising and lowering the jack, operator should keep body and feet clear of trailer tongue. The jack should always be fully retracted before towing trailer. Use of blocks for additional ground clearance may create an unsafe

condition and cause injury.

To operate:

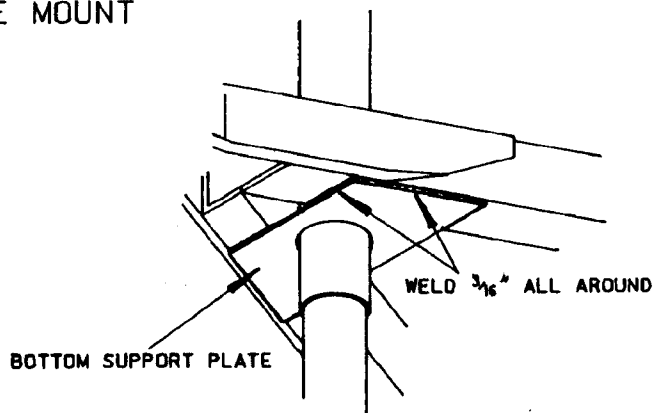
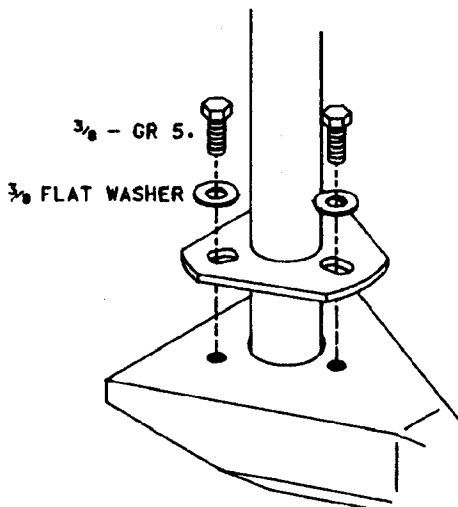
1. Turn handle clockwise to raise and counter-clockwise to lower.

Fully retract jacks before towing.

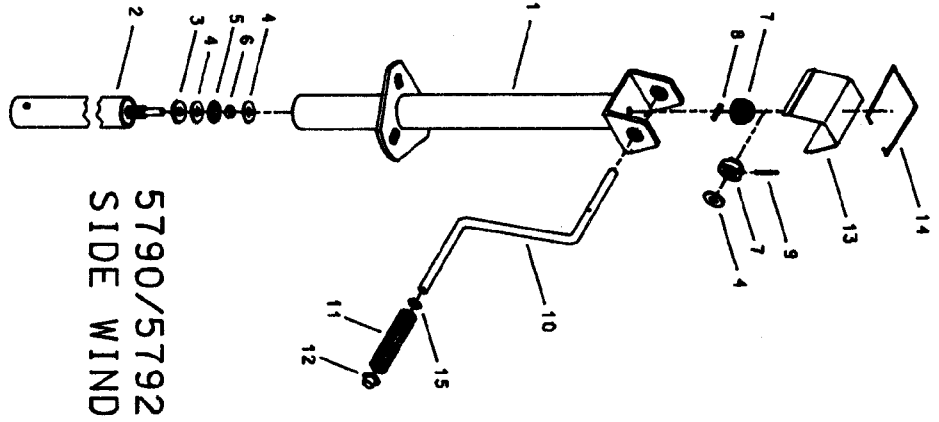
JACK MAINTENANCE

1. Jack should be lubricated in the following manner at least every six months. Extend jack as far as possible and lubricate entire length of outside of inner tube with SAE 30 heavy oil. Clean dirt from jack every six months.
2. On side crank models only, remove clip spring and top cover and lubricate gears with wheel bearing grease.
3. When jack is lowered, always provide footing such as caster wheel or a jack foot beneath jack to prevent dirt, etc., from getting into center of ram.
4. Should jack become difficult to operate, remove – clean and oil, inspect for bent or worn parts. Use only factory supplied parts for replacement.
5. If it is not possible to get jack to operate freely, replace jack.

A-FRAME MOUNT



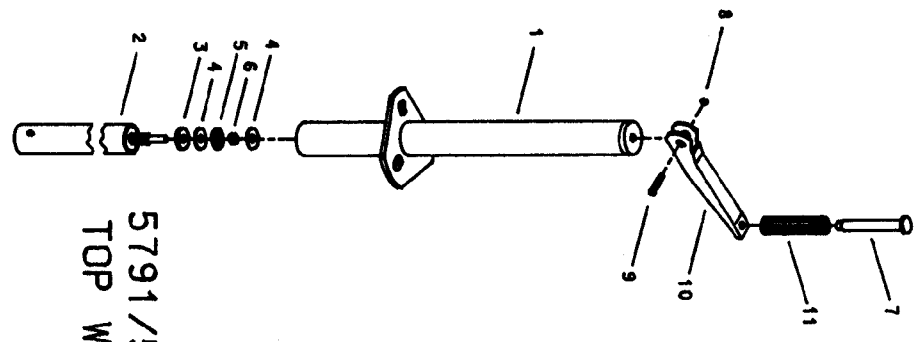
MODEL 5790: 1200 LB. CAP.
 MODEL 5792: 2000 LB. CAP.



5790/5792
 SIDE WIND

ITEM	DESCRIPTION	PART NO.	QUANTITY
1	UPPER TUBE 5790	2928-04/04Z	1
2	UPPER TUBE 5792	2944-04/04Z	1
3	WASHER	2992-11	1
4	THRUST WASHER	2118-00	1
5	BEARING	2119-03	2
6	SPACER	2120-09	1
7	GEAR PIN	2121-09	2
8	GEAR PIN	2125-09	1
9	HANDLE PIN	2126-03	1
10	HANDLE	2127-09	1
11	HANDLE GRIP	2128-03	1
12	COVER - 1,200 LB.	0919-00	1
13	COVER - 2,000 LB.	2130-09	1
14	COVER CLIP	2123-18	1
15	RETAINER	2123-19	1
		2124-03	1
		2106-09	1

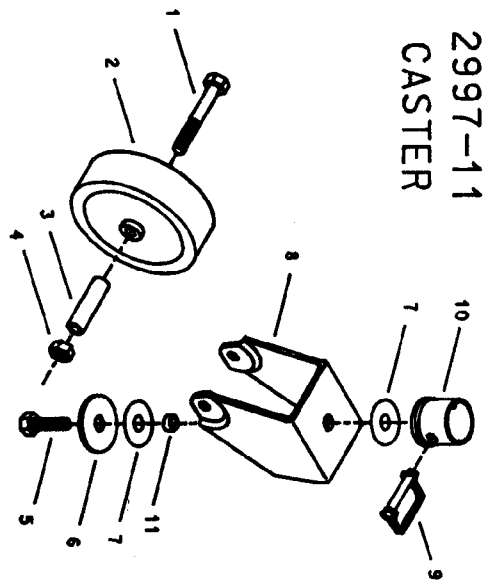
MODEL 5791: 1200 LB. CAP.
 MODEL 5793: 2000 LB. CAP.



5791/5793
 TOP WIND

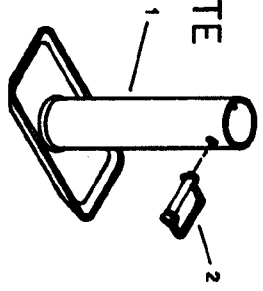
ITEM	DESCRIPTION	PART NO.	QUANTITY
1	UPPER TUBE 5791	2927-07/07Z	1
2	UPPER TUBE 5793	2946-07/07Z	1
3	WASHER	2943-11	1
4	THRUST WASHER	2118-00	1
5	BEARING	2119-03	2
6	SPACER	2120-09	1
7	HANDLE PIN	2121-09	1
8	1/4"-20 HEX NUT	2203-03	1
9	1/4"-20x 1 CAP SCREW	0672-03	1
10	HANDLE	2202-03	1
11	HANDLE GRIP	2197-03	1
		0919-00	1

2997-11
 CASTER



ITEM	DESCRIPTION	PART NO.	QUANTITY
1	1/2 x 3-1/4 BOLT	2105-03	1
2	WHEEL	2103-09	1
3	SPANNER	2104-03	1
4	1/2 LOCKNUT	0129-03	1
5	BOLT	2175-03	1
6	WASHER	2159-03	1
7	NYLON WASHER	2162-09	2
8	CASTER	2101-03	1
9	CLEVIS PIN	2110-03	1
10	WELDED TUBE ASM	2941-07	1
11	CASTER SPACER	2174-09	1

2998-11
 FOOTPLATE



ITEM	DESCRIPTION	PART NO.	QUANTITY
1	FOOTPLATE ASM	2948-03	1
2	CLEVIS PIN	2110-03	1

2200-00
 BOTTOM
 SUPPORT
 PLATE



"A" FRAME JACK

LIMITED WARRANTY (CONSUMER WARRANTY)*

Shelby Industries, Incorporated, warrants its products to be free from defects in material and workmanship to the original purchaser and to any person to whom the product is transferred, subject to all the terms and limitations contained herein, for a period of one year from the date the product is sold to the original purchaser. If any of these products is found to be defective, it may be replaced or repaired at the option of Shelby, when returned with proof of purchase to Shelby's manufacturing facility in Shelbyville, Kentucky. The owner shall pay all transportation and shipping charges associated with the return of said product, and the returned product shall become the property of Shelby.

In no instance shall Shelby be responsible to repair or replace a product under this limited warranty if the product was improperly installed, altered, or misused, including using the product contrary to Shelby's printed instructions or instructions stamped on the product itself.

THE FOREGOING STATES A SOLE AND EXCLUSIVE REMEDY FOR ANY BREACH OF WARRANTY OR ANY OTHER CLAIM BASED ON A DEFECT IN OR NON-PERFORMANCE OF, THE PRODUCT, WHETHER SOUNDING IN CONTRACT, WARRANTY, NEGLIGENCE, OR STRICT LIABILITY. SHELBY MAKES NO OTHER EXPRESS WARRANTIES. ALL IMPLIED WARRANTIES, INCLUDING AN IMPLIED WARRANTY OF MERCHANTABILITY OR FITNESS FOR A PARTICULAR PURPOSE, ARE LIMITED IN DURATION TO A PERIOD OF ONE YEAR FROM THE DATE OF PURCHASE AT RETAIL.

SOME STATES DO NOT ALLOW LIMITATIONS ON HOW LONG AN IMPLIED WARRANTY LASTS, SO THE ABOVE LIMITATION MAY NOT APPLY TO YOU.

WITHOUT LIMITING THE GENERALITY OF THE FOREGOING, SHELBY SHALL UNDER NO CIRCUMSTANCES BE HELD LIABLE FOR ANY INCIDENTAL OR CONSEQUENTIAL LOSS OR DAMAGE WHATSOEVER ARISING OUT OF, OR IN ANY WAY RELATING TO, ANY SUCH BREACH OF WARRANTY OR CLAIMED DEFECT IN, OR NONPERFORMANCE OF, THE PRODUCTS.

THIS LIMITED WARRANTY IS DESIGNED TO FULLY COMPLY WITH THE TERMS AND PROVISIONS OF THE MAGNUSON-MOSS WARRANTY ACT. SOME STATES MAY NOT ALLOW THE LIMITATION OR EXCLUSION OF INCIDENTAL OR CONSEQUENTIAL DAMAGES, SO THE ABOVE LIMITATIONS OR EXCLUSIONS MAY NOT APPLY TO YOU.

THIS WARRANTY GIVES YOU SPECIFIC LEGAL RIGHTS, AND YOU MAY ALSO HAVE OTHER RIGHTS WHICH VARY FROM STATE TO STATE.

The above-stated limitations may be waived or modified only by a writing signed by an officer of Shelby, and no other representations shall be binding on Shelby.

To obtain your remedy under this warranty, send the product, shipping prepaid, together with your proof of purchase to Customer Service Manager, Shelby Industries, Incorporated, P.O. Box 308, Shelbyville, KY 40065.

* THIS WARRANTY APPLIES ONLY TO SHELBY'S RETAIL SALES OF CONSUMER PRODUCTS AS THAT TERM IS DEFINED BY THE MAGNUSON-MOSS WARRANTY ACT (PRODUCTS FOR PERSONAL, FAMILY, OR HOUSEHOLD PURPOSES). OTHERS PLEASE SEE THE WARRANTY ON THE REVERSE SIDE.